

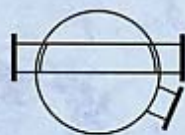
ROTA VAL

Keeping the
World's Industries
Solidly in Control



Sealed Plug Diverter Valves

Sizes $\varnothing 50\text{mm}$ – $\varnothing 250\text{mm}$

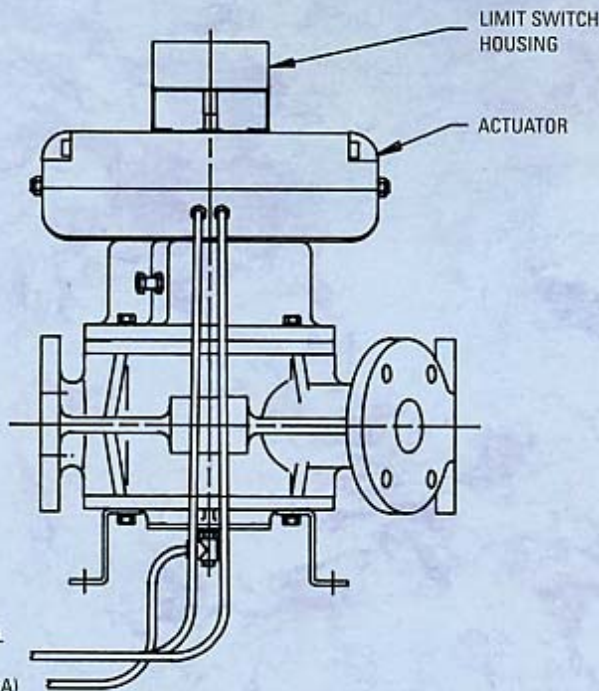
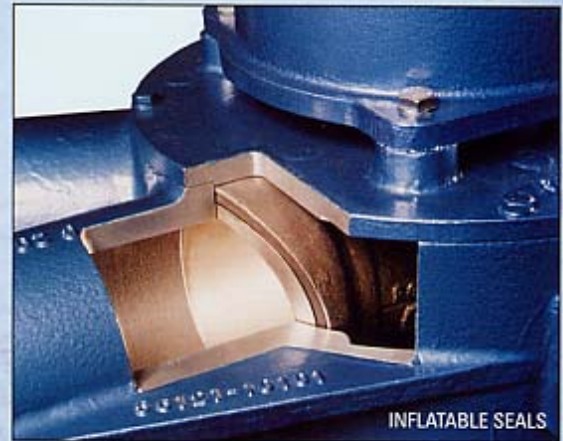
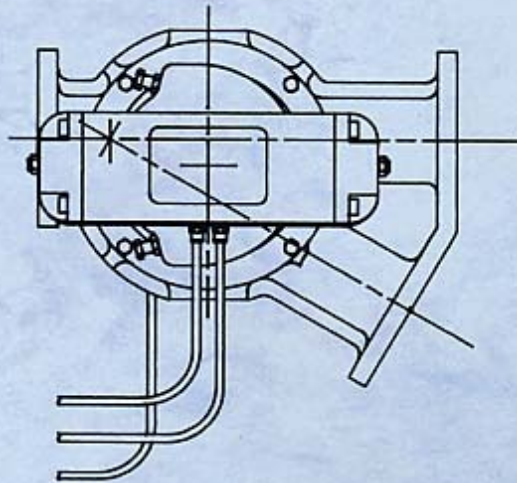


Meeting the highest standards of
safety and reliability

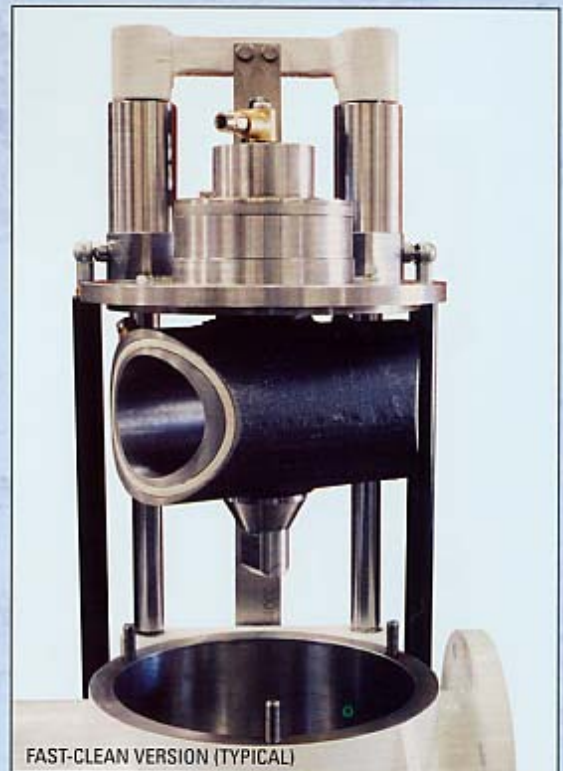
Rota Val Sealed Plug Diverter Valves

Incorporating inflatable seals the Rota Val 'TBS' Plug Diverter Valves offer:

- Gas tight seal
- Conveying pressures up to 7 barg
- Suitable for lean and dense phase systems
- Optional seal materials for temperature range -110°C to $+250^{\circ}\text{C}$
- Converging or Diverging Applications
- Suitable for very fine materials
- Ideal for inert gas conveying systems
- Eliminates risk of particle erosion at the interface between the plug and valve body
- Control from user control panel or independent local control box (optional)



USER CONTROL
PANEL OR LOCAL
CONTROL BOX
(OPTIONAL EXTRA)



ROTA VAL LTD

BUMPERS WAY, BUMPERS FARM INDUSTRIAL ESTATE
CHIPPENHAM, WILTS, ENGLAND SN14 6LH
TEL (01249) 651138 FAX (01249) 657898
INTERNATIONAL TEL +44 1249 651138
FAX +44 1249 657898