

BSV Static installation



BSV Vehicle-mounted installation



ROTAVAL

Keeping the World's Industries Solidly in control



Blowing Seals for Vehicle Mounting

Capacities up to 40m³/hour



ROTAVAL

Przedstawicielstwo w Polsce - PROORGANIKA S.A.

01-755 Warszawa, ul. Krasińskiego 69

Tel: +48 (022) 3260350, Fax: +48 (022) 3260351

Email: proorganika@proorganika.com.pl, www.proorganika.com.pl

BSV Blowing Seals

Application

The Rota Val BSV Blowing Seal is a lightweight but robust unit that has been purpose-designed for mounting on bulk vehicles. It is suited to discharging a wide range of bulk powders and granular solids into a pneumatic conveying line.

Design and Construction

The valve housing comprises robust castings in iron or stainless steel.

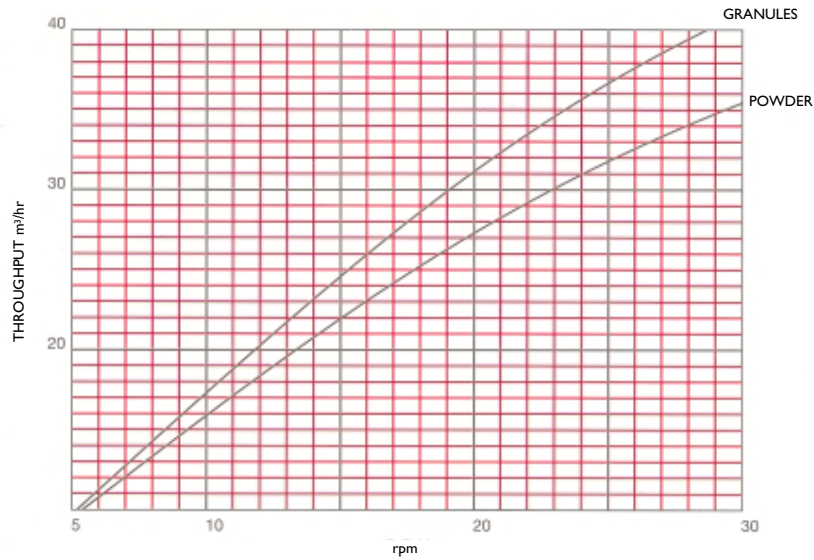
The rotor is either a carbon or stainless steel fabrication. Bearings are mounted outboard and shaft seals are of the packed-gland type.

The valve is driven by a direct coupled in-line variable speed hydraulic motor powered by the vehicle's hydraulic system.

Although the BSV Blowing Seal is designed primarily for mounting on bulk vehicles it is also used in fixed installations, normally driven by an electric motor.

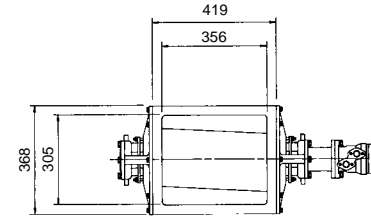


FOR GUIDANCE ONLY. EXACT THROUGHPUT CAN BE CALCULATED USING THE FORMULA BELOW

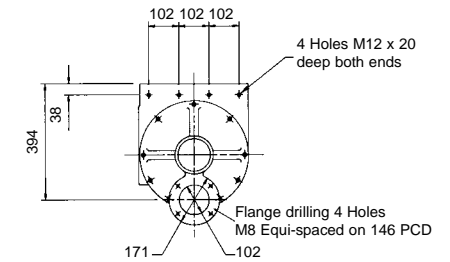
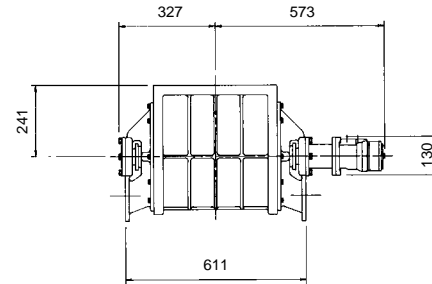


$$\text{Valve speed (rpm)} = \frac{\text{throughput (kg/hr)}}{\text{loose bulk density of product (kg/m}^3\text{)} \times 1.82 \text{ (m}^3\text{/hr/rpm)} \times \text{filling efficiency}}$$

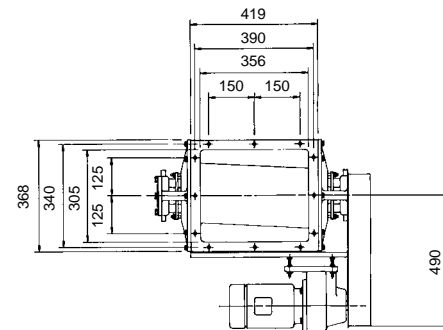
BSV - Direct hydraulic drive



Materials of construction and/or alternative valve features may alter some of the stated dimensions. This information is therefore to be used for guidance only. Use certified drawings for planning-in. These will be issued against an order. These valves must not be considered as load-bearing without prior consultation.



BSV - Geared motor drive



Materials of construction and/or alternative valve features may alter some of the stated dimensions. This information is therefore to be used for guidance only. Use certified drawings for planning-in. These will be issued against an order. These valves must not be considered as load-bearing without prior consultation.

